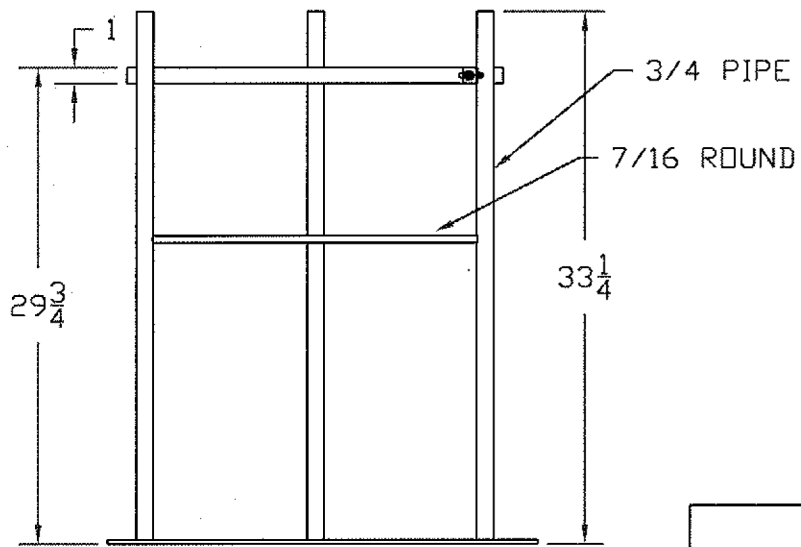
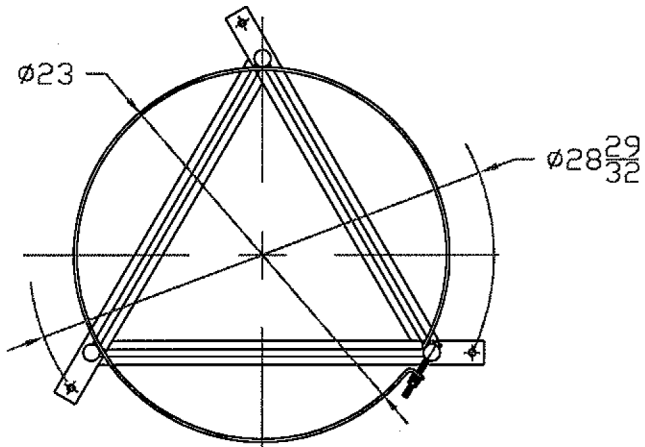



REVISIONS				
ZONE	REV	DESCRIPTION	DATE	APPROVED
	D	REVISED & REDRAWN	21JUN04	



FINISH: BLACK ENAMEL

		 <b>PEABODY</b> engineering <i>No Boundaries.</i>		
		<b>35 GALLON INDUCTOR TANK STAND</b>		
JTP	21JUN04	SIZE A	FSCM NO.	DWG NO.
		SCALE 1/12	SHEET	
		REV D		